



tradition • innovation • quality

a.b.e.® Construction Chemicals

abe® universal flashing tape

PAINTABLE SELF-ADHESIVE WATERPROOFING FLASHING TAPE

DESCRIPTION

abe® universal flashing tape is a flexible, bitumen-modified, self-adhesive tape embedded with a stitch bond non-woven fabric which is paintable.

USES

- Counter flashing of bitumen torch applied waterproofing membranes.
- Parapet walls.
- Flat roof waterproofing repairs.
- Waterproofing of metal roof joints, laps & roof screws.
- Pipe dressings.
- Sealing of roof ridge capping.

ADVANTAGES

- Flexible membrane.
- High elongation.
- Can be coated with any high quality coatings such as **abe® super laycryl**, **abe® silvakote eco**, **abe® abeproof pu eco** or a **high quality exterior acrylic paint**.
- High bond strength onto most primed substrates.
- Easy-to-use: just measure, cut, peel and stick.
- No bitumen bleed through the membrane.

SURFACE PREPARATION

Surfaces to be covered must be clean, sound, dry and free of grease, oils and loose materials. Allow **abe® universal flashing tape** to warm in the sun before application.

BONDING/PRIMING RECOMMENDATION

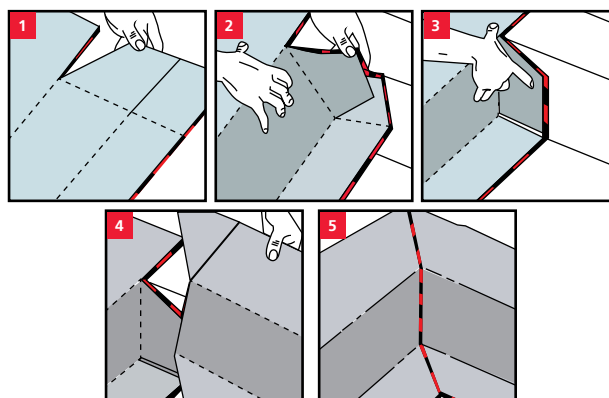
It is recommended that porous substrates should be primed with **bitu.® prime**. New galvanised substrates should first be primed with **4-metal primer**. Remove all existing surface rust and coat with **4-metal primer** as per the manufacturer's instruction. The flashing tape can also be applied on top of a good quality acrylic paint provided the substrate is sound.

APPLICATION

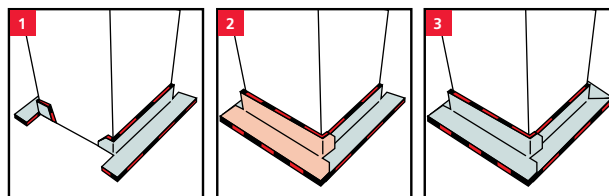
Cut the **abe® universal flashing tape** to the correct length required for the area. Remove 150 mm of the backing paper starting at the one end and pressure bond to the surface by pushing down on the tape by hand. Remove any air bubbles and ensure the membrane is fully bonded to the substrate below.

DETAILING GUIDE FOR **abe®** flashing tape:

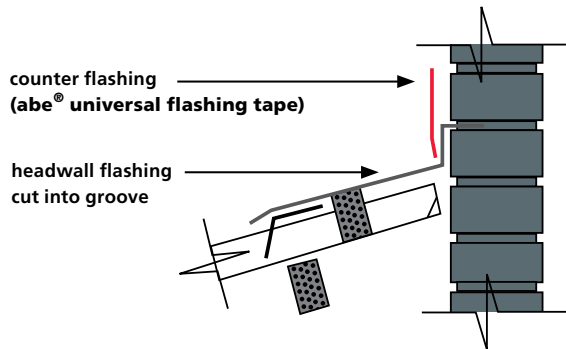
Detailing: Internal Corner



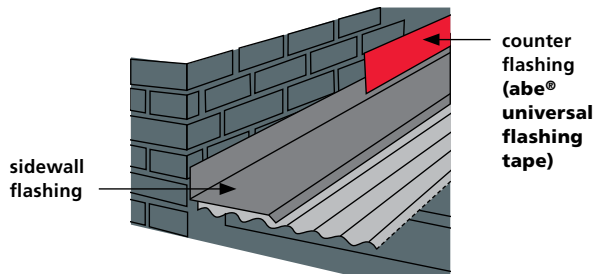
Detailing: External Corner



Detailing: Headwall



Detailing: Sidewall



CLEANING

Clean with **abe® super brush cleaner** followed by soap and water. Ensure all soap has been rinsed off with clean water.

PROTECTION ON COMPLETION

Coat the **abe® universal flashing tape** with **abeproof pu eco**, **abe® super laycryl**, **abe® silvakote eco** or a high quality exterior flexible paint.

MODEL SPECIFICATION

Self-adhesive bitumen tape embedded with stitch bond non-woven fabric for **sealing and counter flashing of bitumen torch-on waterproofing membranes which once applied can be coated with abeproof pu eco, abe® super laycryl, abe® silvakote eco. Primer: abe® bitu.®prime.**

TYPICAL PHYSICAL PROPERTIES

Adhesion bitumen	23.0 N
Average tensile strength	200 N
Average elongation	50 N
Thickness of adhesive	1.93 mm
Thickness of backing and adhesive	2.03 mm

PACKAGING

abe® universal flashing tape is supplied in rolls of the following sizes:

- 100 mm x 10 m
- 150 mm x 10 m
- 250 mm x 10 m
- 300 mm x 10 m
- 450 mm x 10 m
- 600 mm x 10 m

HANDLING & STORAGE

This product has a shelf life of 12 months if kept in a dry, cool place in the original packaging. In more extreme conditions shelf life may be reduced.

HEALTH & SAFETY

When applying **abe® bitu.®prime**, ensure that appropriate hand and eye protection is used. Always ventilate the working area well during application and drying. Avoid flames in the vicinity. If material is splashed into the eyes wash with clean water and seek medical advice.

abe® universal flashing tape is inert and harmless.

IMPORTANT NOTE

This data sheet is issued as a guide to the use of the product(s) concerned. Whilst **a.b.e.® Construction Chemicals** endeavours to ensure that any advice, recommendation, specification or information is accurate and correct, the company cannot – because **a.b.e.®** has no direct or continuous control over where and how **a.b.e.®** products are applied – accept any liability either directly or indirectly arising from the use of **a.b.e.®** products, whether or not in accordance with any advice, specification, recommendation, or information given by the company.

FURTHER INFORMATION

Where other products are to be used in conjunction with this material, the relevant technical data sheets and safety data sheets should be consulted to determine total requirements.

a.b.e.® Construction Chemicals has a wealth of technical and practical experience built up over years in the company's pursuit of excellence in building and construction technology.



a.b.e.® is an ISO 9001:2008 registered company
PO Box 5100, Boksburg North, 1461, South Africa
Website: www.abe.co.za | Tel: +27(0) 11 306 9000
Durban | Johannesburg | Cape Town | Port Elizabeth | East London | Bloemfontein | George

a.b.e.® is a CHRYSO Group Company



DATE UPDATED: 05/05/16

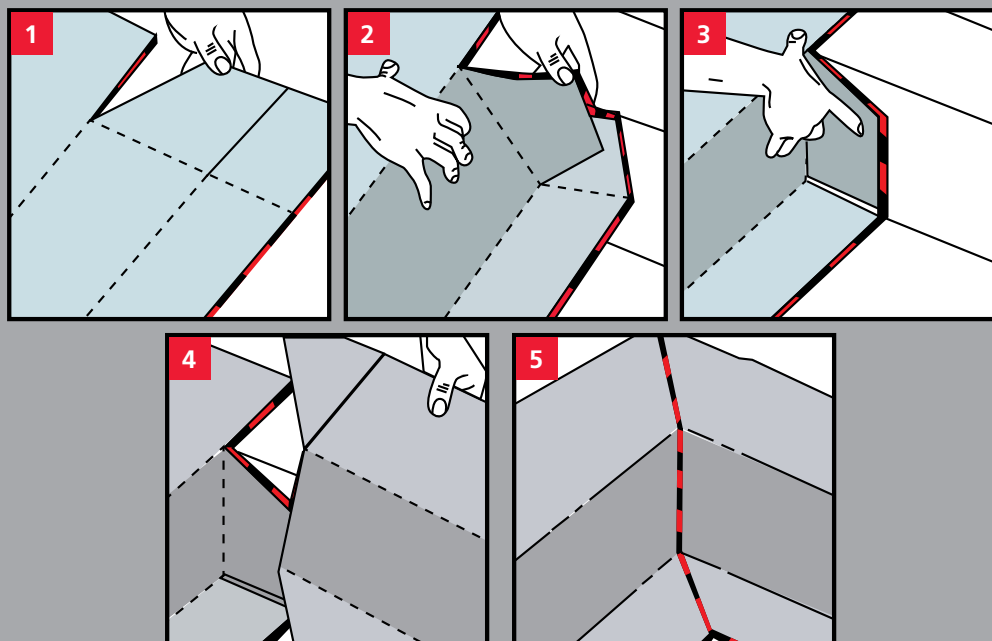


tradition • innovation • quality

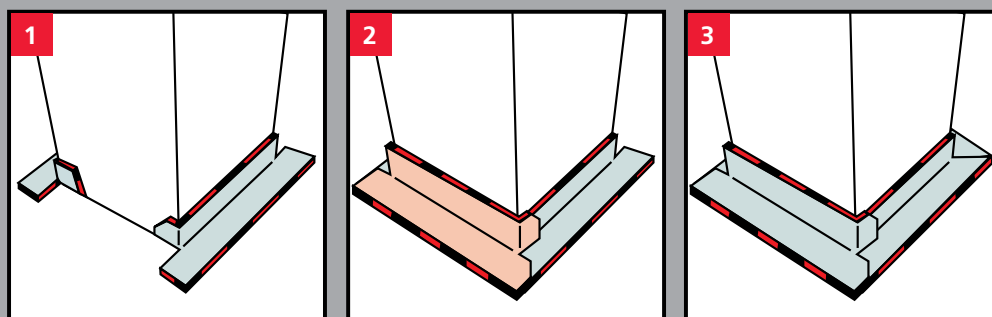
a.b.e.[®] Construction Chemicals

Detailing guide for abe[®] flashing tapes

Sealing an Internal Corner



Sealing an External Corner



www.abe.co.za

a.b.e.[®] is an ISO 9001:2008 registered company
PO Box 5100, Boksburg North, 1461, South Africa
Website: www.abe.co.za | Tel: +27(0) 11 306 9000
Durban | Johannesburg | Cape Town | Port Elizabeth | East London | Bloemfontein | George

a.b.e.[®] is a CHRYSO Group Company





tradition • innovation • quality

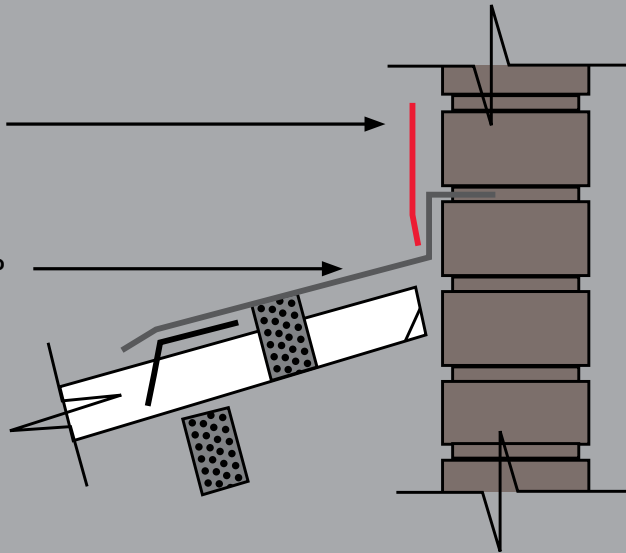
a.b.e.[®] Construction Chemicals

Detailing guide for abe[®] flashing tapes

Counter flashing a Headwall

counter flashing
(abe[®] flashing tape)

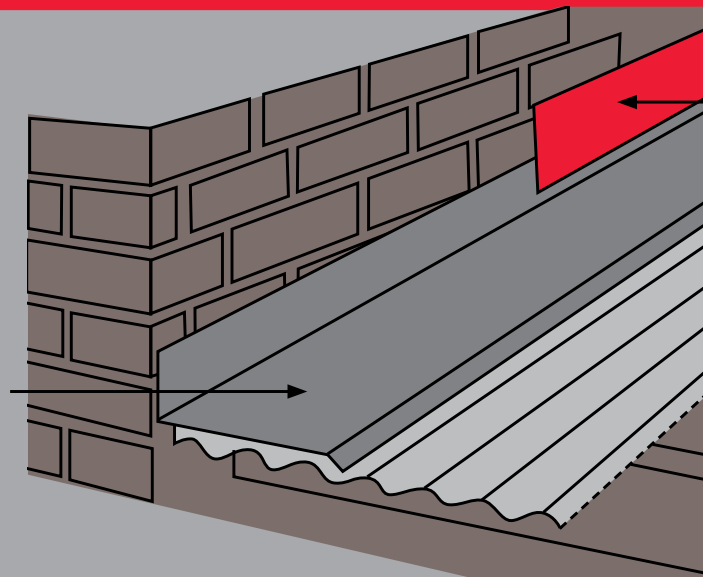
headwall flashing cut into
groove



Counter flashing a Sidewall

sidewall flashing

counter flashing
(abe[®] flashing tape)



www.abe.co.za

a.b.e.[®] is an ISO 9001:2008 registered company
PO Box 5100, Boksburg North, 1461, South Africa
Website: www.abe.co.za | Tel: +27(0) 11 306 9000
Durban | Johannesburg | Cape Town | Port Elizabeth | East London | Bloemfontein | George

a.b.e.[®] is a CHRYSO Group Company

CHRYSO