

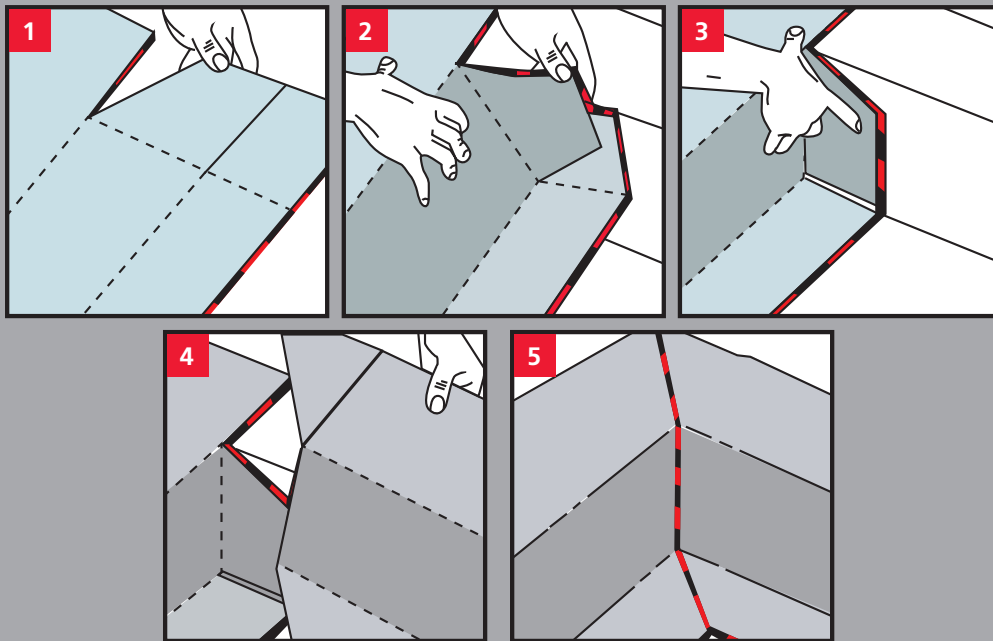


tradition • innovation • quality

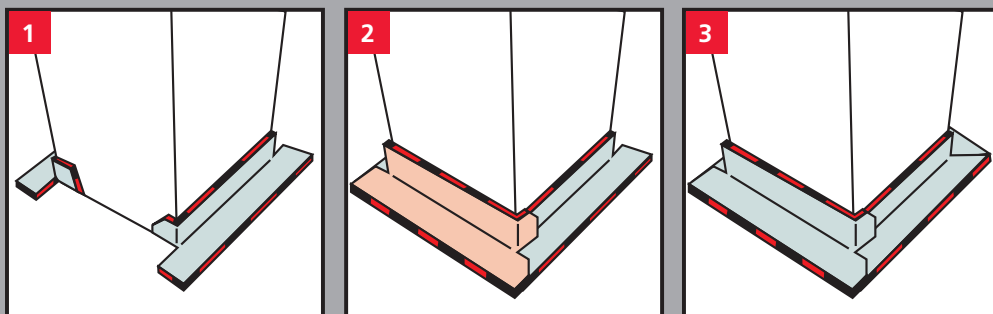
a.b.e.[®] Construction Chemicals

Detailing guide for abe[®] flashing tapes

Sealing an Internal Corner



Sealing an External Corner



www.abe.co.za

a.b.e.[®] is an ISO 9001:2008 registered company
PO Box 5100, Boksburg North, 1461, South Africa
Website: www.abe.co.za | Tel: +27(0) 11 306 9000
Durban | Johannesburg | Cape Town | Port Elizabeth | East London | Bloemfontein | George

a.b.e.[®] is a Chryso Group Company

CHRYSO

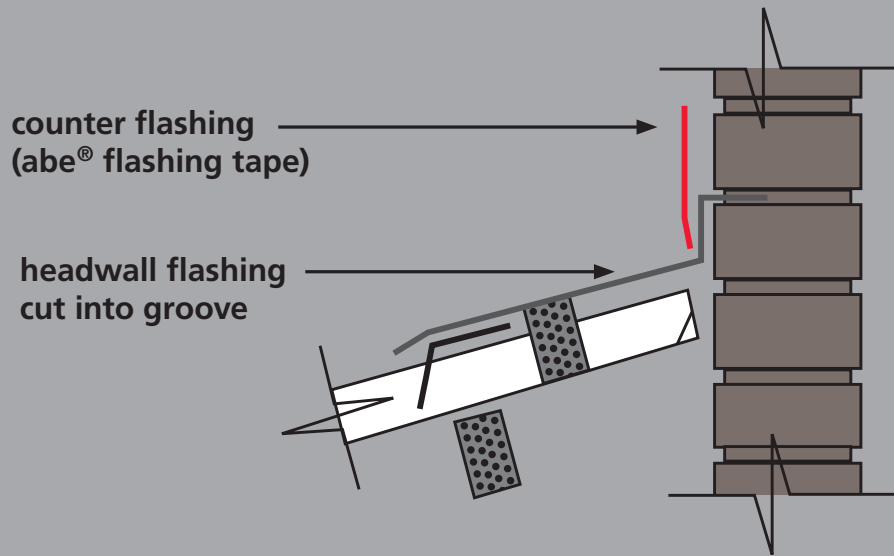


tradition • innovation • quality

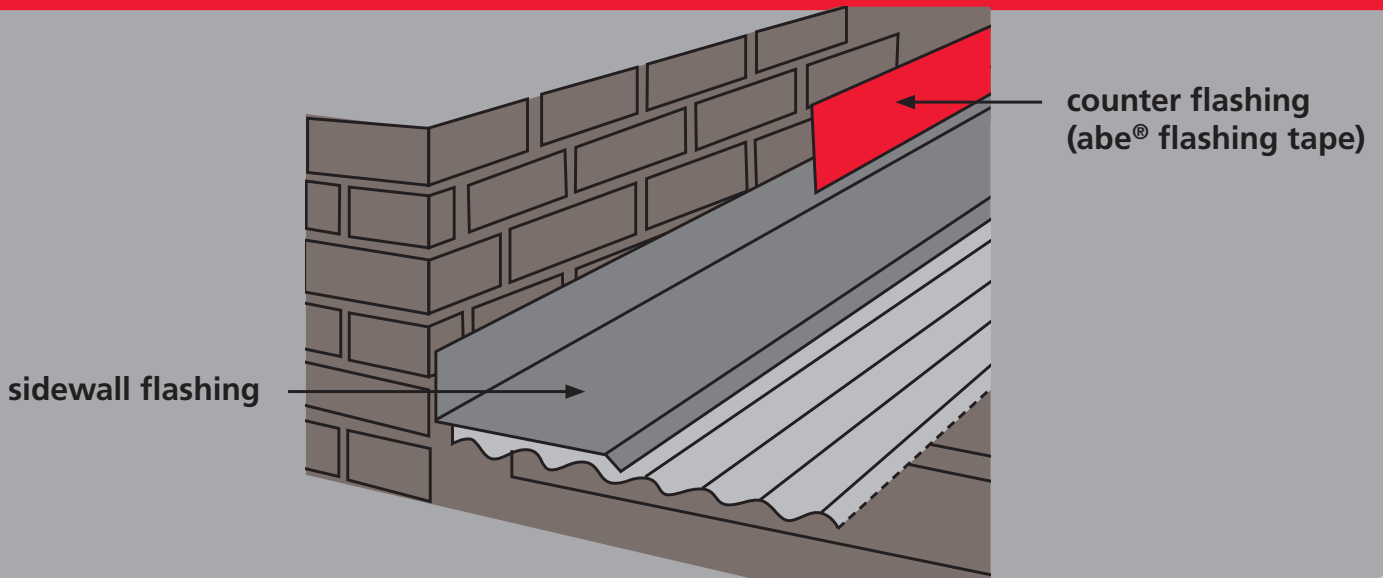
a.b.e.[®] Construction Chemicals

Detailing guide for abe[®] flashing tapes

Counter flashing a Headwall



Counter flashing a Sidewall



www.abe.co.za

a.b.e.[®] is an ISO 9001:2008 registered company
PO Box 5100, Boksburg North, 1461, South Africa
Website: www.abe.co.za | Tel: +27(0) 11 306 9000
Durban | Johannesburg | Cape Town | Port Elizabeth | East London | Bloemfontein | George

a.b.e.[®] is a Chryso Group Company

CHRYSO